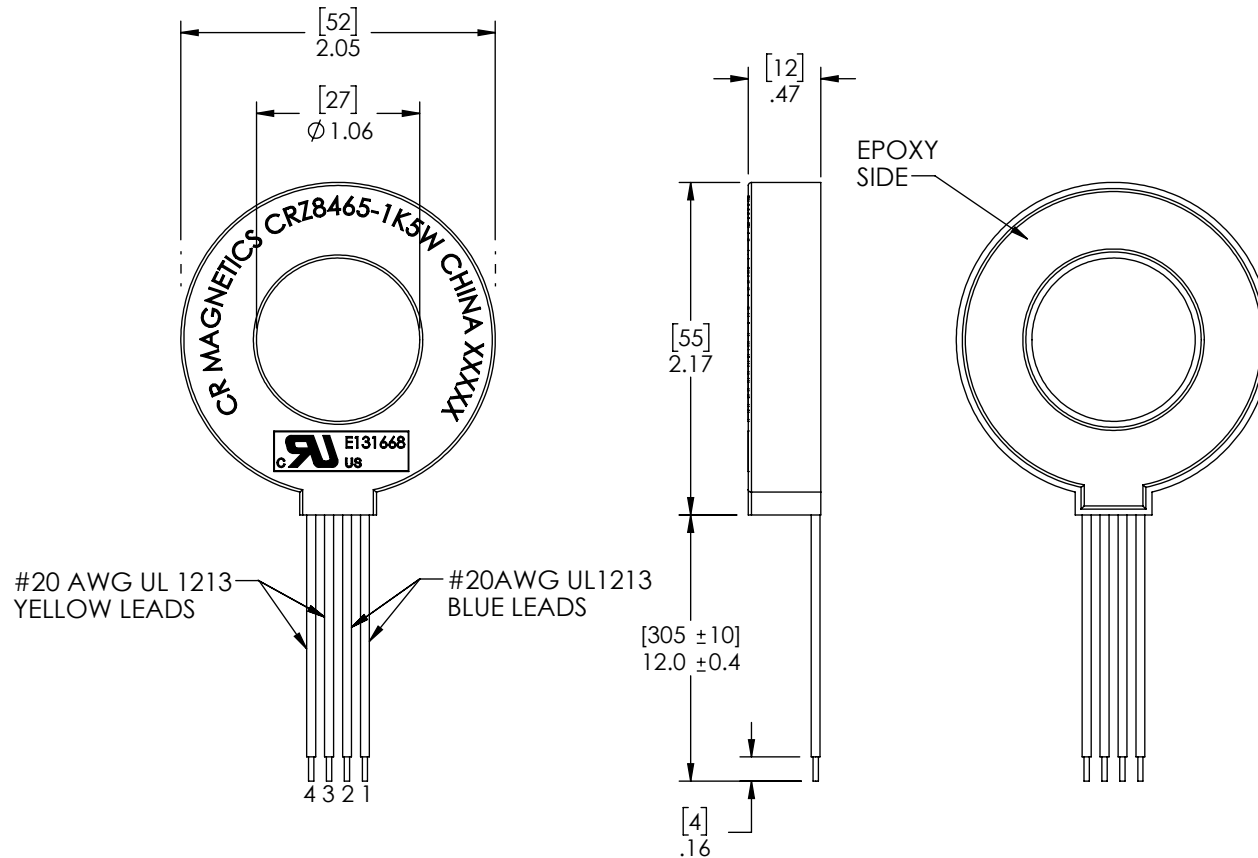
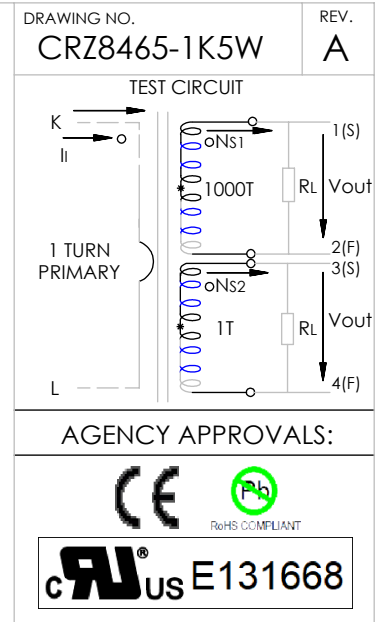
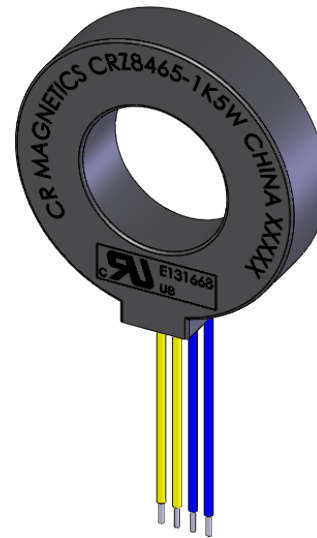


CURRENT TRANSFORMER SPECIFICATIONS	
RATED PRIMARY CURRENT (AMP) 50/60 Hz	10mA ~ 1A
TURNS RATIO	$N_p:N_{s1}:N_{s2} = 1:1000:5$
SECONDARY OUTPUT VOLTAGE (mV)	10mV @ $I_o=100mA, R_L=100\Omega$
D.C. RESISTANCE ( $\Omega$ )@ 20°C	57 MAX
DIELECTRIC WITHSTANDING VOLTAGE (HI-POT)	4KVrms/1mA/1min
INSUATION RESISTANCE	DC500V/100M $\Omega$ min
ACCURACY (@ $R_L \leq 100\Omega$ )	1% of F.S.
OPERATING TEMPERATURE	-40°~85°C
STORAGE TEMPERATURE	-45°~90°C



DO NOT SCALE THIS DRAWING.  
 DIMENSIONS ARE IN INCHES UNLESS OTHERWISE NOTED  
 3 PLACE DECIMALS:  $\pm .005$  FRACTIONS:  $\pm 1/64$   
 2 PLACE DECIMALS:  $\pm .01$  ANGLES:  $\pm 1/2^\circ$



**CR MAGNETICS**  
 3500 Scarlet Oak Blvd, St. Louis, MO 63122 USA

SCALE: 1.0"-1.0"	TITLE: CURRENT TRANSFORMER, Ni 1000T W/1 TEST WRAPS	REV. A
DRAWING BY: TB	PART FILE: CRZ8465-SW-MODEL	
DATE: 6/25/22	DWG NO: CRZ8465-1K5W	SHEET 1 OF 1

REV	ECN#	CHG BY	DATE	DESCRIPTION OF CHANGE	APPROVED
A	-	TB	6/25/22	NEW RELEASE	TB

**NOTICE:**  
 THE INFORMATION CONTAINED IN THIS DRAWING IS THE SOLE PROPERTY OF CR MAGNETICS. ANY REPRODUCTION IN PART OR WHOLE WITHOUT WRITTEN PERMISSION IS PROHIBITED.